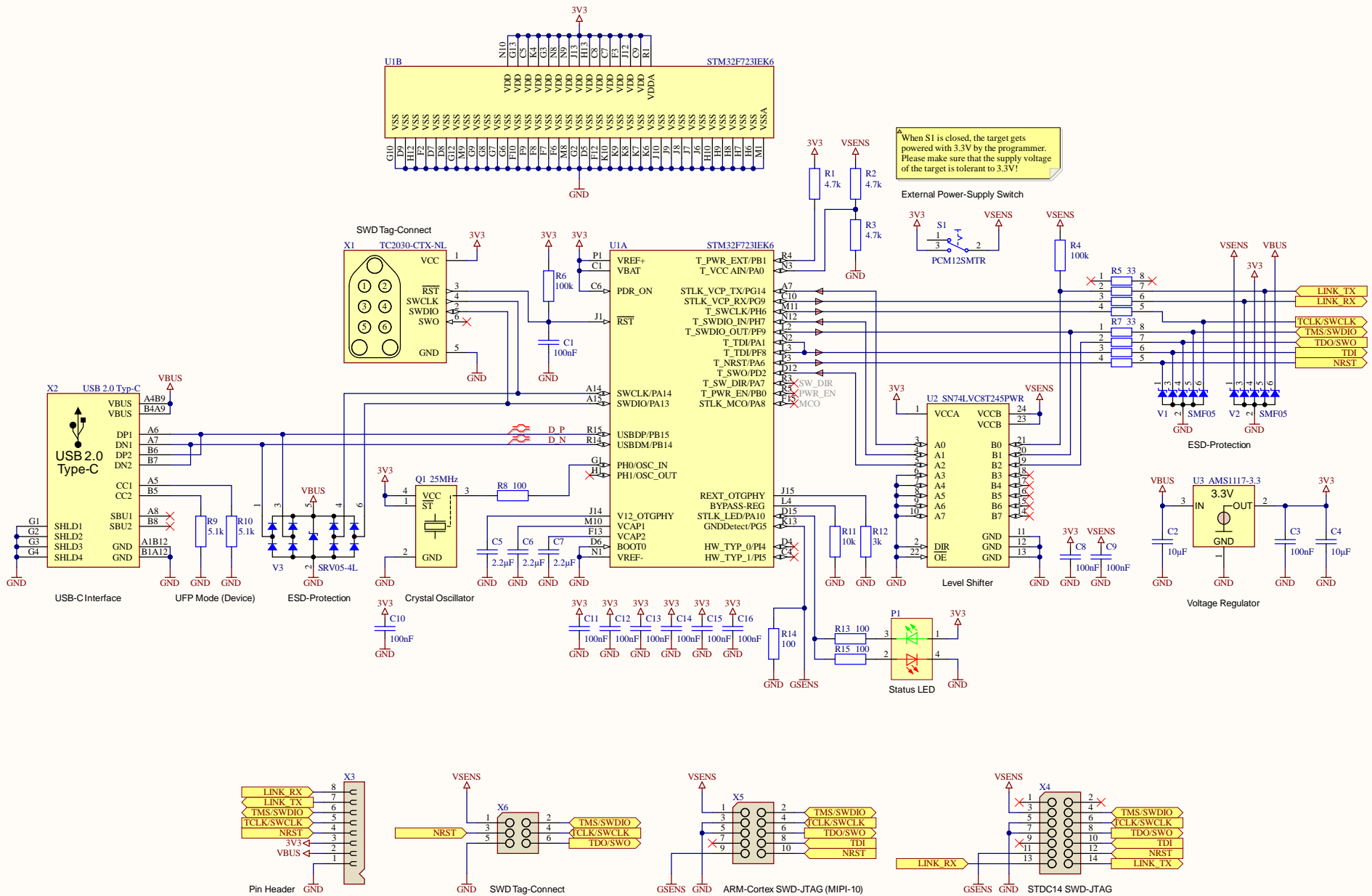
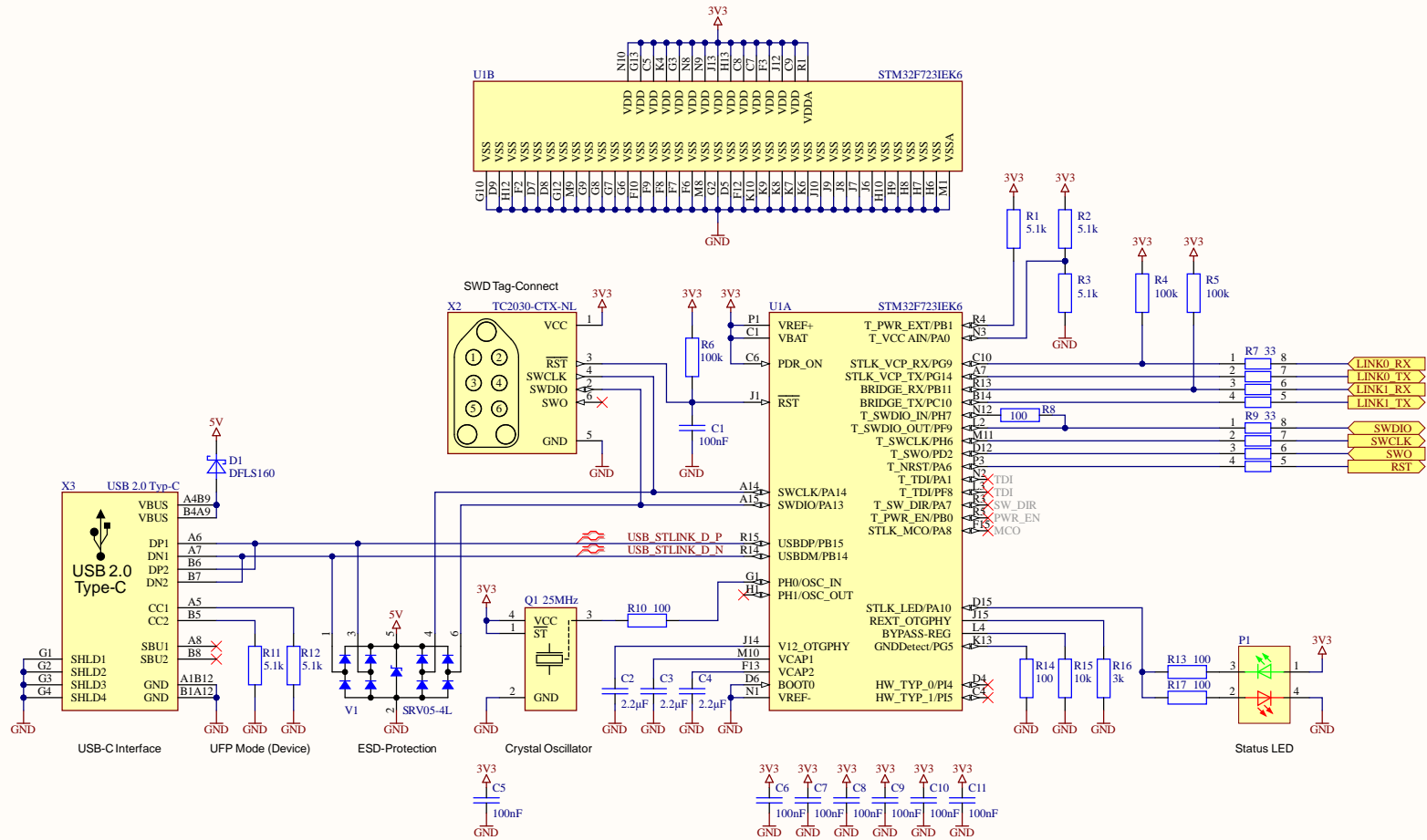


Title Custom ST-Link V2.1		
Subtitle Based on ST-Link V2.x design		
Author: Florian Baumgartner	Date: 15.06.2021	Rev: V1.0
File: C:\Users\fori\GoogleDrive\Custom ST-Link\Hardware\Custom ST-Link V2.1.SchDoc		



When S1 is closed, the target gets powered with 3.3V by the programmer. Please make sure that the supply voltage of the target is tolerant to 3.3V!

Title Custom ST-Link V3.0		
Subtitle Based on ST-Link V3.0 design		
Author: Florian Baumgartner	Date: 15.06.2021	Rev: V1.0
File: C:\Users\flori\GoogleDrive\Custom ST-Link\Hardware\Custom ST-Link V3.0.SchDoc		



Title Onboard ST-Link V3.0		
Subtitle Based on ST-Link V3.0 design		
Author: Florian Baumgartner	Date: 25.03.2021	Rev: V1.0
File: C:\Users\flori\Google Drive\Custom ST-Link\Hardware\Onboard ST-Link V3.0.SchDoc		